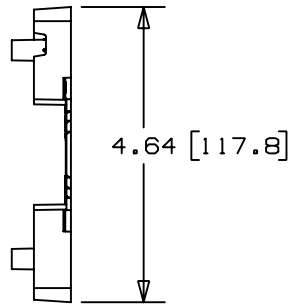
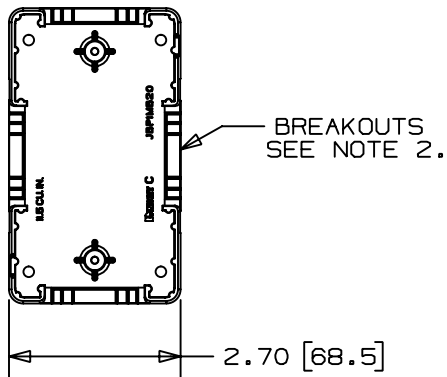
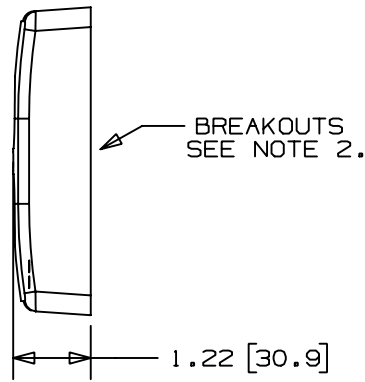
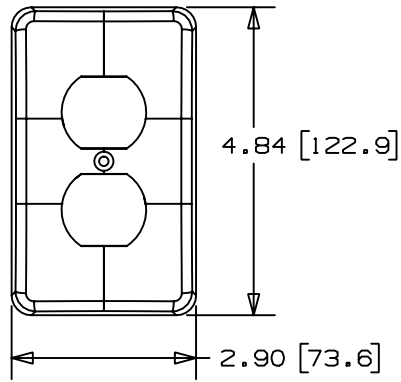


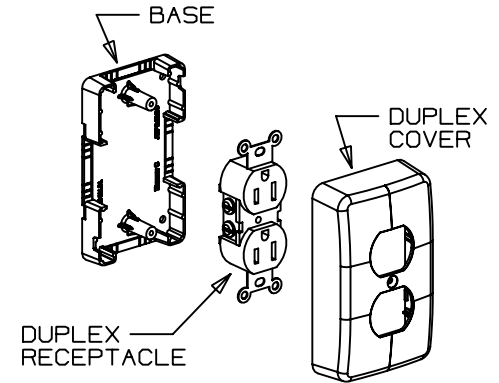
THIS COPY IS PROVIDED ON A RESTRICTED BASIS AND IS NOT TO BE USED IN ANY WAY DETRIMENTAL TO THE INTERESTS OF PANDUIT CORP.



PANDUIT P/N	WEIGHT
JBP1MD20	3.26 LB/10 PCS (1480 g/10 PCS)

NOTES:

1. SEE CURRENT CATALOG FOR ADDITIONAL PART SUFFIXES TO INDICATE COLOR AND OR PACKAGE QUANTITY.
2. BREAKOUTS ON ALL FOUR SIDES IN COVER AND BASE TO ACCOMMODATE PAN-WAY LDS AND LDP RACEWAYS.
3. COVER IS EXTENDED OUT AND DOWN AROUND SIDES OF BASE WHEN ASSEMBLED.
4. DIMENSIONS IN PARENTHESES ARE IN METRIC.



CAD FILENAME/LAYERS D36642BU_DC_JBP1MB_00

PANDUIT CORP. TINLEY PARK, ILLINOIS

PAN-WAY MINI-ELECTRICAL RECEPTACLE BOX (JBP1MD20)
CUSTOMER DRAWING

UNLESS OTHERWISE SPECIFIED, DIMENSIONAL TOLERANCES ARE:
(.X) ± (.XXX) ±
(.XX) ±.03 (.8) ANGLES ±

UNLESS OTHERWISE SPECIFIED, ALL DIMENSIONS ARE GIVEN IN INCHES, THIRD ANGLE PROJECTION.

DRAWN BY DW	MAT'L: PVC	SCALE NONE
DATE 12-08-98		DRAWING NO. 36642-05
CHECKED BY JAWA		DWG A SIZE

REV	DATE	BY	CHK	DESCRIPTION	ECN	CHK	CUST	SUP
R	12-08-98	DW	JAWA	RELEASED TO PRODUCTION.	36642-05	HIW	HIW	